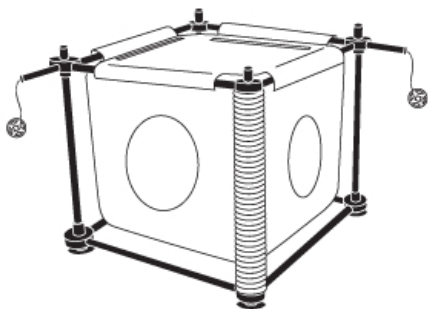
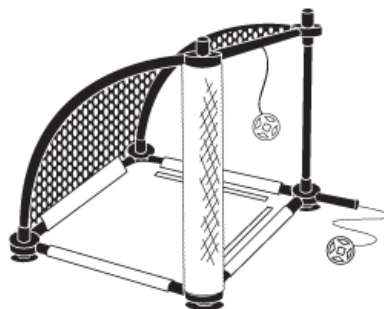


Kits Required to Build COMBO 4*



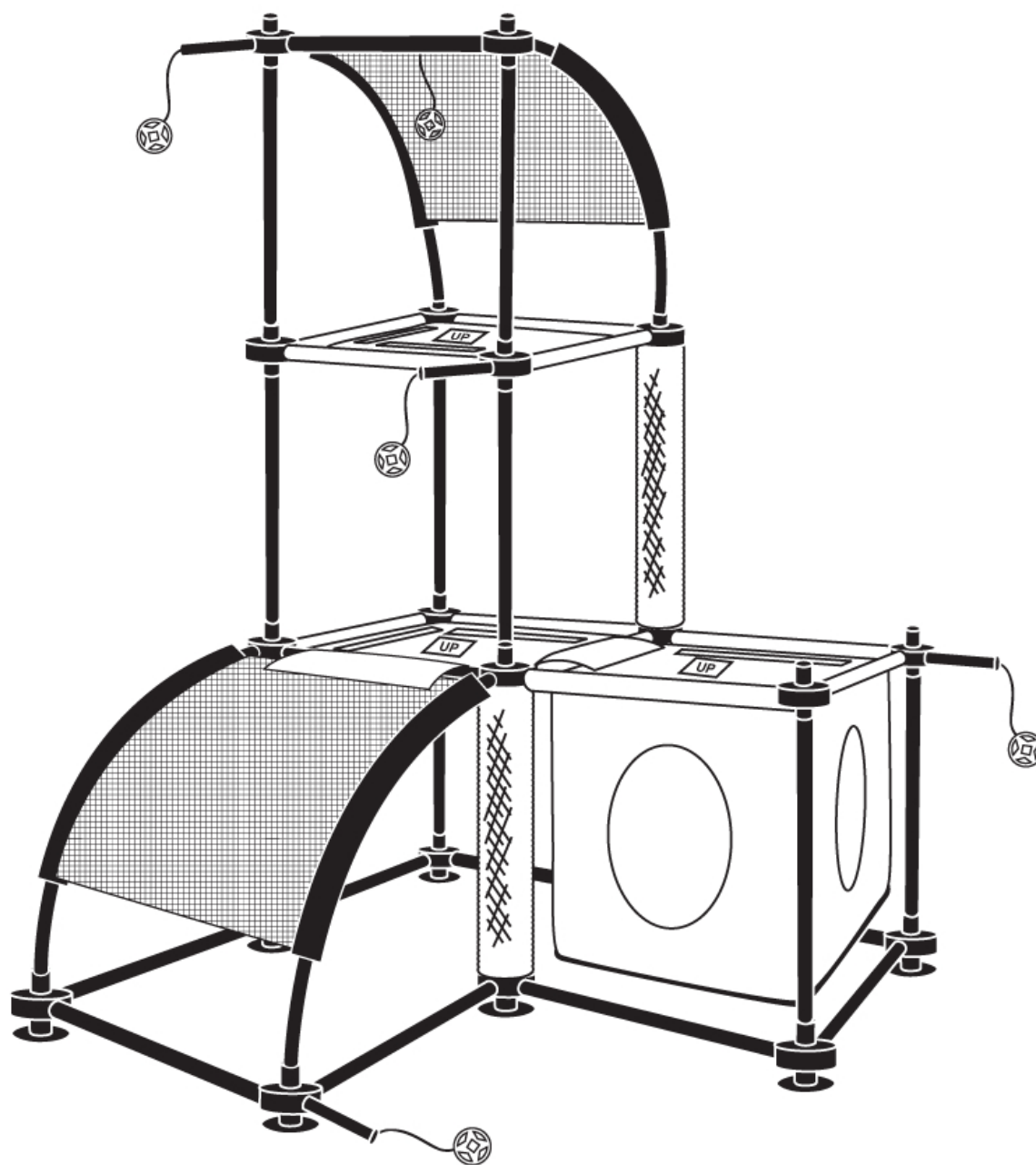
1

Hideaway



2

Climbing Hills

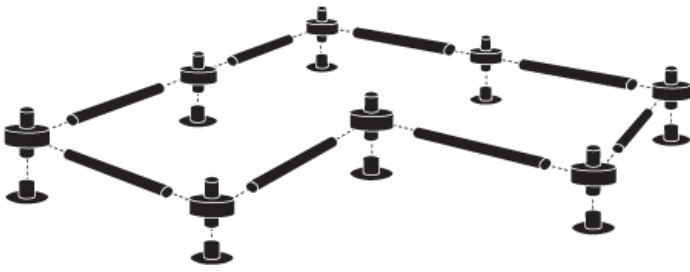


* Combo will require Spare Pipes Included in Kits

Remaining Parts: 4 Caps

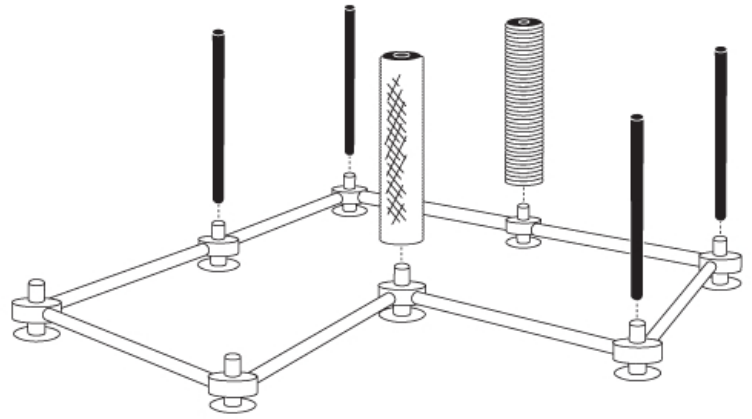
STEP 1

Assemble base.



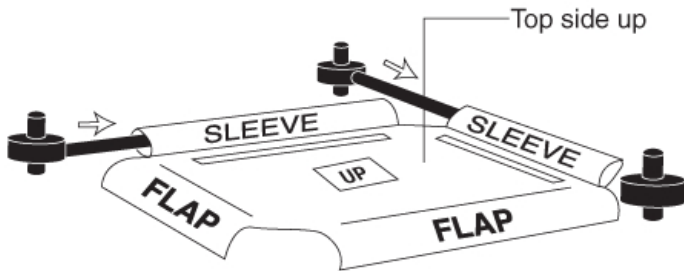
STEP 2

Insert vertical pipes and scratching posts.



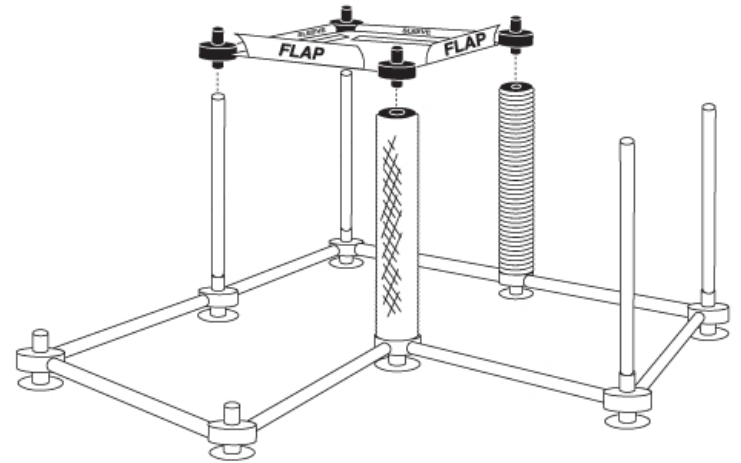
STEP 3

Using one PLATFORM, slide pipes through SLEEVES and hook and loop FLAP over pipe as shown. Only assemble pieces shown. Insert pipes into joints.



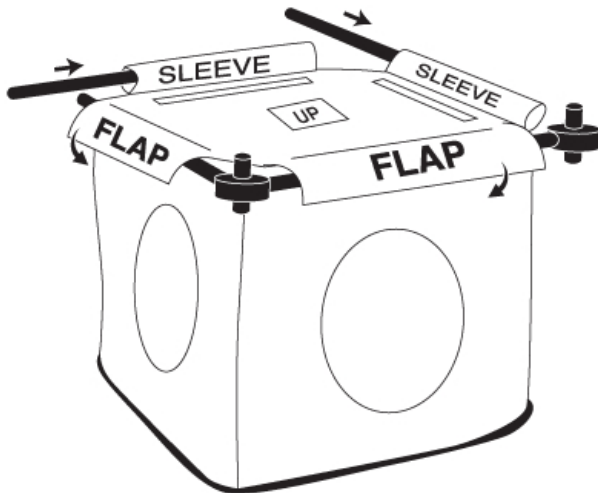
STEP 4

Attach PLATFORM to assembled base. Insert pipes into joints. There should NOT be pipes under the FLAPS.



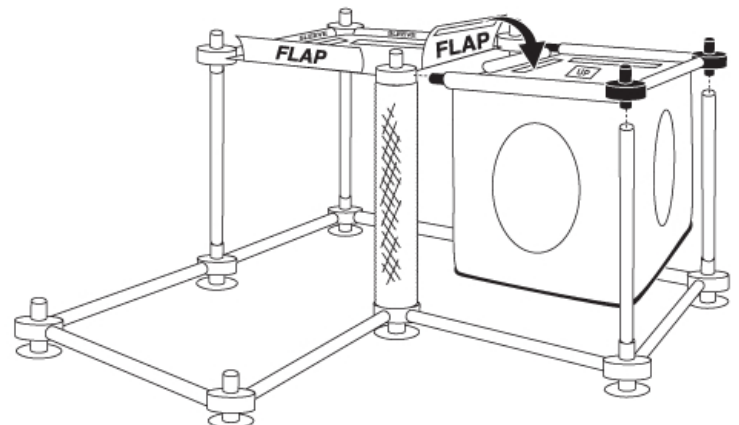
STEP 5

Using CUBE "F," slide pipes through SLEEVES and hook and loop FLAPS over pipes as shown. Insert pipes into joints.



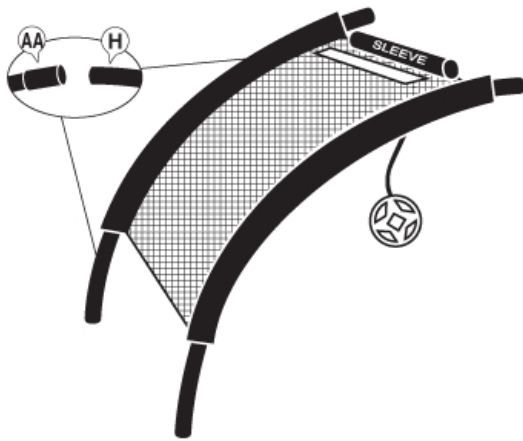
STEP 6

Attach CUBE to assembled base, inserting pipes into joints. Hook and loop PLATFORM FLAP over CUBE SLEEVE.



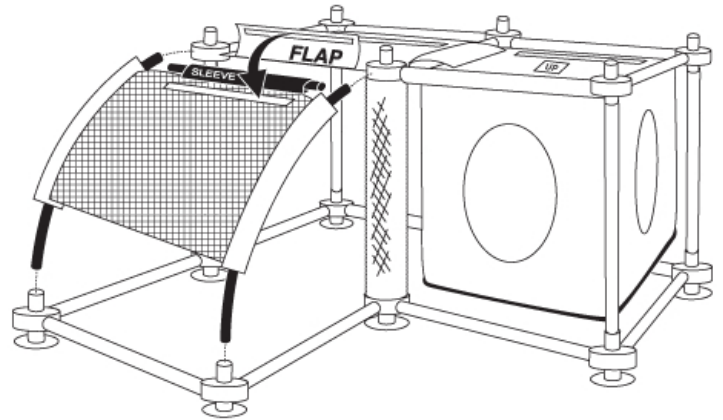
STEP 7

Connect pipes "H" and "AA" and insert into curved **SLEEVES** of **RAMP**. Insert straight pipe through end **SLEEVE** of **RAMP**.



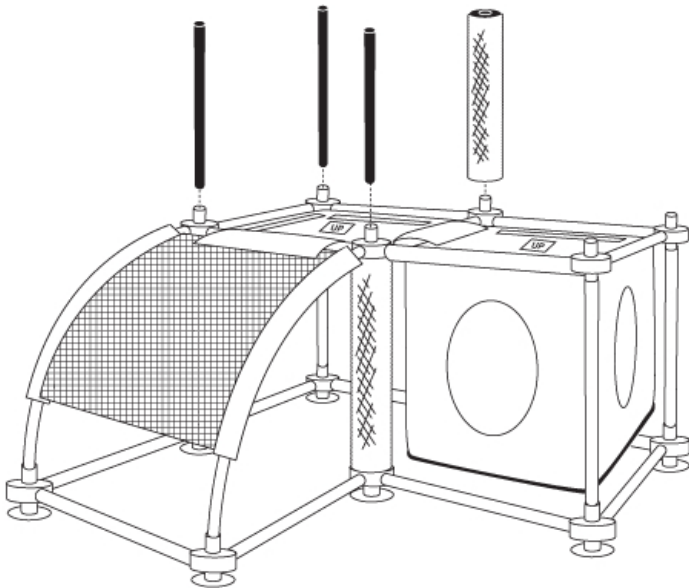
STEP 8

Attach **RAMP** to assembled base, inserting pipes into joints. Hook and loop **PLATFORM FLAP** over **RAMP SLEEVE**.



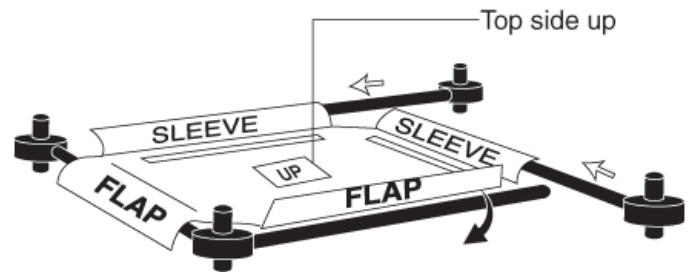
STEP 9

Insert vertical pipes and scratching post.



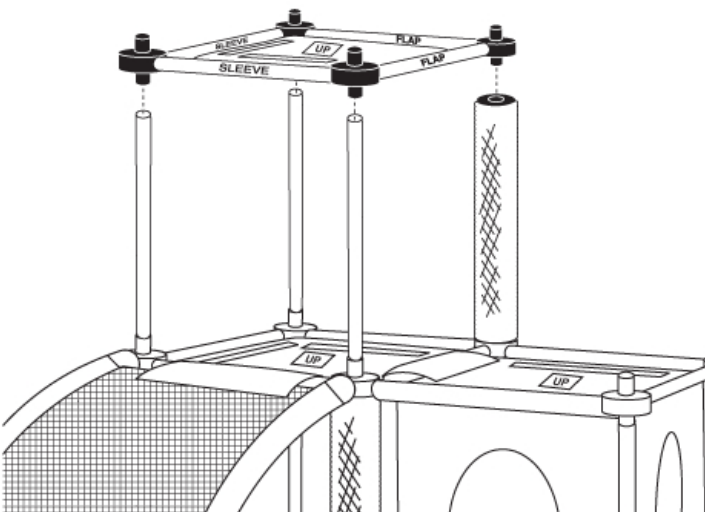
STEP 10

Using **PLATFORM**, slide pipes through **SLEEVES** and hook and loop **FLAPS** over pipes as shown. Insert pipes into joints.



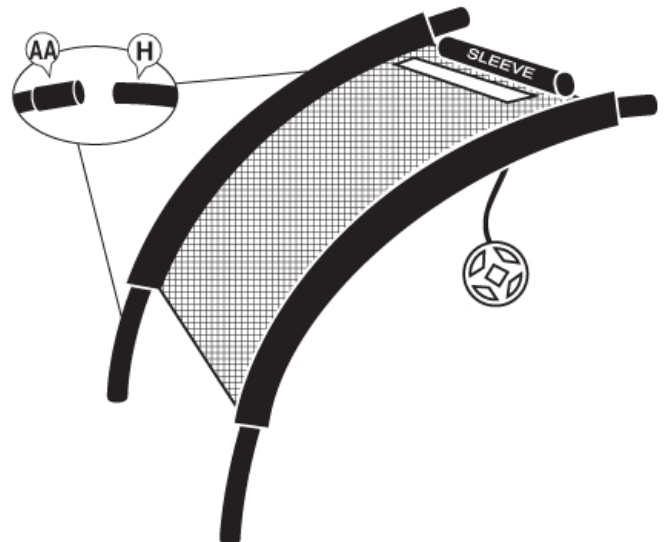
STEP 11

Attach **PLATFORM** to assembled base.



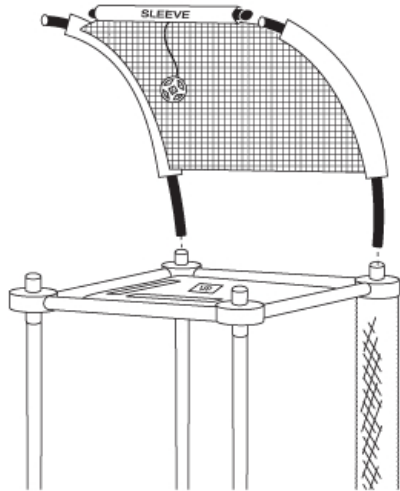
STEP 12

Connect pipes "H" and "AA" and insert into curved **SLEEVES** of **RAMP**. Insert straight pipe through end **SLEEVE** of **RAMP**.



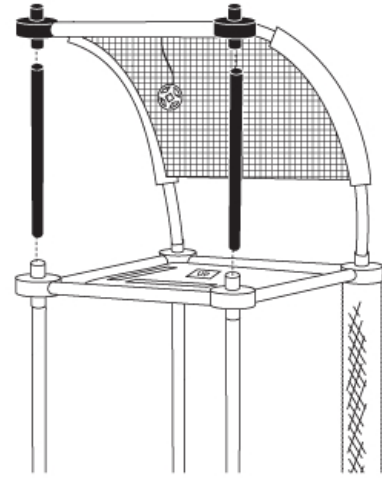
STEP 13

Attach RAMP to assembled base, inserting pipes into joints.



STEP 14

Insert pipes and joints.



STEP 15

Attach toys wherever you wish!

